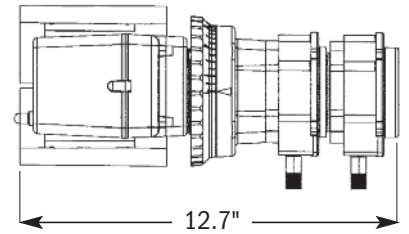
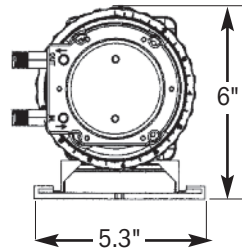
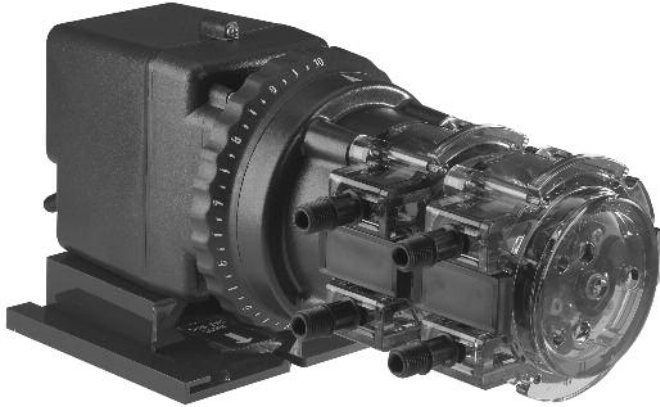


# CLASSIC - DOUBLE HEAD ADJUSTABLE SPECIFICATIONS



SHIPPING WEIGHT 10 lbs (4.5 kg)

METERING PUMP



METERING PUMP  
LR79585



THIS PUMP IS TESTED AND  
CERTIFIED BY WQA ACCORDING TO  
NSF/ANSI 61 FOR CONTACT WITH  
SODIUM HYPOCHLORITE AND  
WATER ONLY AND NSF/ANSI 372.



**Intertek**  
94247  
**CONFORMS TO  
STD. NSF-50**  
CIRCULATION SYSTEM  
COMPONENTS FOR SWIMMING  
POOLS, SPAS, OR HOT TUBS

Agency listings vary by model. Contact factory for details.

## FEATURES

- 3-point roller design assists in anti-siphon protection
- Pump head requires no valves, allows for easy maintenance
- Self-priming against maximum working pressure, foot valve not required
- Pump does not lose prime or vapor lock
- Pumps off-gassing solutions and can run dry
- Output volume is not affected by back pressure
- Injection check valve included with models rated up to 100 psi (6.9 bar)
- Easy to change pump tube; lubrication is not required
- Pump tubes and pump heads interchange between models
- Models (Santoprene® only) tested by Water Quality Association to conform to ANSI/NSF STD 61
- Adjustable models (Santoprene® only) tested by ETL to conform to ANSI/NSF STD 50

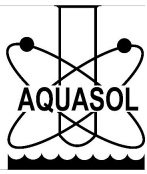
Manufactured By:

**STENNER PUMP COMPANY**

Jacksonville, Florida USA

[www.stenner.com](http://www.stenner.com)

© Stenner Pump Company All Rights Reserved



## CLASSIC - DOUBLE HEAD ADJUSTABLE SPECIFICATIONS

### OUTPUT CONTROL

Adjustable models only, external dial ring adjustment from 5%-100% in 2.5% increments

### MAXIMUM WORKING PRESSURE

**100 psi (6.9 bar)** 100DMHP5, 100DMHP20, 170DMHP9, 170DMHP34

**25 psi (1.7 bar)** 100DM1, 100DM2, 100DM3, 100DM4, 100DM5, 170DM1, 170DM2, 170DM3, 170DM4, 170DM5

### MAXIMUM OPERATING TEMPERATURE

125° F (52° C)

### MAXIMUM SUCTION LIFT

25 ft (7.6 m) vertical lift, based on water

### MOTOR TYPE

1/30 HP, shaded pole, class B

### APPROXIMATE GEAR MOTOR RPM

26

### DUTY CYCLE

Continuous

### MOTOR VOLTAGE (AMP DRAW)

120V 60Hz 1PH (1.7)  
220V 60Hz 1PH (0.9)  
230V 50Hz 1PH (0.9) *International*  
250V 50Hz 1PH (0.9) *International*

### POWER CORD TYPE

SJTOW

### POWER CORD PLUG END

120V 60Hz NEMA 5/15  
220V 60Hz NEMA 6/15  
230V 50Hz CEE 7/VII  
250V 50Hz CEE 7/VII

### MATERIALS OF CONSTRUCTION

**All Housings** Polycarbonate

### Pump Tube & Check Valve Duckbill

Santoprene\*\*, optional Tygothane\*\*\* #1, #2, #5 tubes, FDA approved

**CV Duckbill with Tygothane\*\*\* Tube** Pellathane†

**Pump Head Rollers** HDPE

**Roller Bushings** Oil impregnated sintered bronze

**Suction/Discharge Tubing, Ferrules 1/4" & 6 mm** Polyethylene, FDA approved

### Tube Fittings

Gray: Type 1 Rigid PVC, NSF listed  
Black: PP, NSF listed

### Check Valve Fittings

Type 1 Rigid PVC, NSF listed

**Connecting Nuts** PP or Type 1 Rigid PVC

**Suction Line Strainer** PP or Type 1 Rigid PVC body with Type 1 Rigid PVC cap, NSF listed; ceramic weight

**All Fasteners** Stainless steel

**Pump Head Latches** Polypropylene

### ACCESSORY KIT SHIPPED WITH EACH PUMP

**6** connecting nuts 1/4" or 3/8"

**6** ferrules 1/4" or 6 mm *Europe*  
OR 2 ferrules 3/8"

**2** injection check valves 100 psi (6.9 bar)  
OR 1 injection fitting 25 psi (1.7 bar)

**2** weighted suction line strainers  
1/4", 3/8" or 6 mm *Europe*

**2** 20' rolls suction/discharge tubing  
1/4" or 3/8", white or UV black  
OR 6 mm white *Europe*

**2** additional pump tubes

**2** additional latches

**1** mounting bracket

**1** manual

\* Santoprene® is a registered trademark of Exxon Mobil Corporation.

\*\* Tygothane® is a registered trademark of Saint-Gobain Performance Plastics.

† Pellathane® is a registered trademark of The Dow Company.