

# Aquasol Controllers, Inc.

We Simply Control Pools Since 1975

## Complete Feed Rate Assemblies

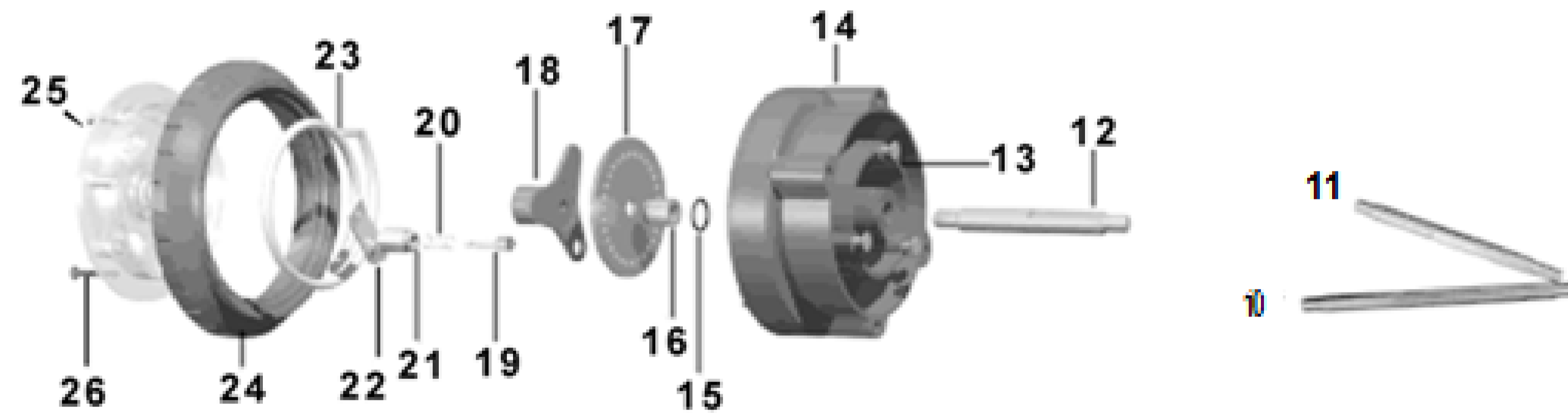


Single Head Feed Rate Control w/Shaft  
 Double Head Feed Rate Control w/Shaft  
 Dual Head Dual Control Feed Rate Control w/Shaft

## Part #

## List Price

|         |          |
|---------|----------|
| FC5040D | \$261.95 |
| DM5040D | 261.95   |
| DM504DC | 261.95   |





## Feed Rate Parts



Feed Rate Housing



Main Shaft



Brass Index Spider "D"

|    |  |         |        |
|----|--|---------|--------|
| 26 | FRC Screw "A"  | FCS000A | \$0.37 |
| 25 | Feed Rate Mounting Plate                                       | FC5N000 | 16.48  |
| 24 | Dial Ring  | FC5M040 | 16.48  |
| 23 | Variable Cam (Package of 2)                                    | UCFC5H0 | 24.68  |
|    | Variable Cam (Package of 5)                                    | MCFC5H0 | 59.61  |
|    | Index Pin Assembly with Lifter, 19, 20, 21 & 22 (Package of 1) | UCFC5AY | 74.18  |
|    | Index Pin Assembly with Lifter, 19, 20, 21 & 22 (Package of 2) | MCFC5AY | 131.51 |
| 22 | Index Pin Lifter (Package of 2)                                | UCFC5L1 | 29.37  |
|    | Index Pin Lifter (Package of 5)                                | MCFC5L1 | 59.22  |
| 21 | Index Pin Holder   | FC5L003 | 10.81  |
| 20 | Index Pin Spring   | FC5L005 | 2.58   |
| 19 | Index Pin  | FC5L002 | 37.63  |
| 18 | Index Spider   | FC5K00D | 37.01  |
| 17 | Index Plate (Package of 1)                                     | UCFC5ID | 27.78  |
|    | Index Plate (Package of 5)                                     | MCFC5ID | 104.79 |
| 16 | Roller Clutch  | FC5F000 | 25.61  |
| 15 | O-Ring Seal 3/8"   | FC5E000 | 2.79   |
| 14 | Feed Rate Housing with Roller Clutch, Seal and Rivets          | FC5D00S | 72.23  |
| 13 | Mounting Rivet "C"   | FCS000C | .20    |
| 12 | Main Shaft for Single Head-Adjustable Rate (Package of 1)      | UCFC5AD | 41.13  |
|    | Main Shaft for Single Head-Adjustable Rate (Package of 2)      | MCFC5AD | 67.84  |
| 11 | Main Shaft for Double Head-Adjustable Rate                     | DM5A00D | 33.62  |
| 10 | Main Shaft for Dual Head Dual Control-Adjustable Rate          | DM5A0DC | 33.62  |
|    | Feed Rate Service Kit  | FSK100  | 55.69  |